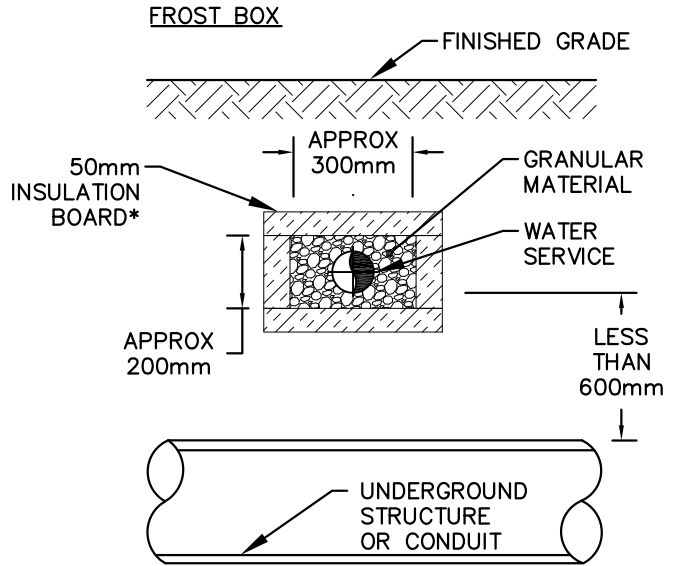
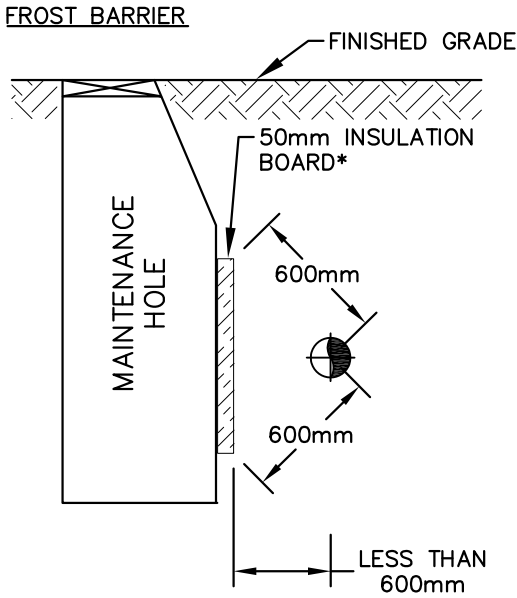


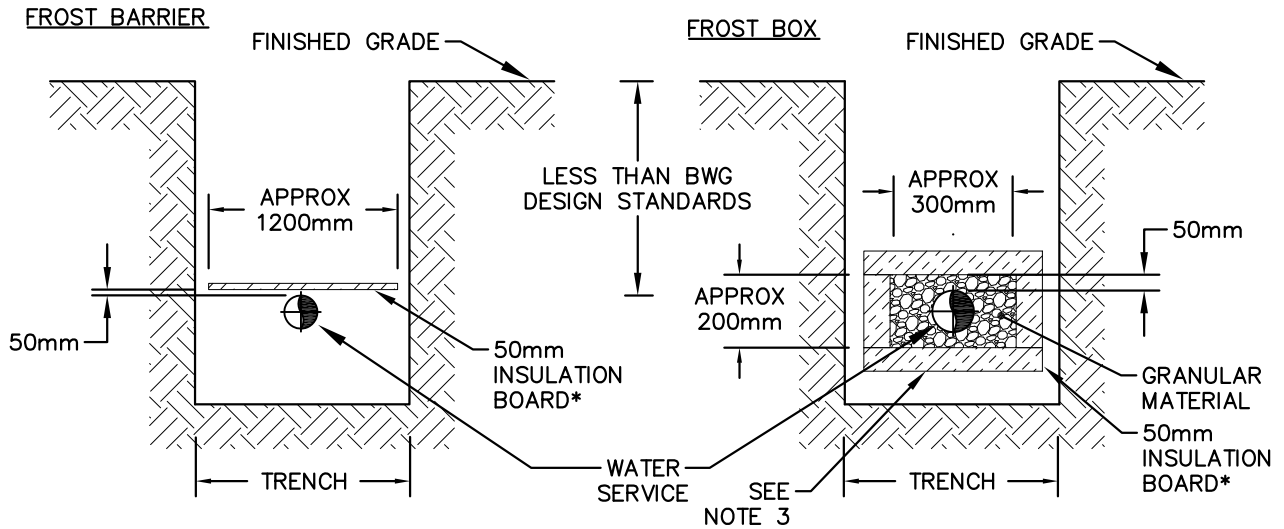
**CASE A**

**ADJACENT TO VENTILATED UNDERGROUND STRUCTURE**



**CASE B**

**INSUFFICIENT GROUND COVER:**



**NOTES**

1. WHERE THE EXISTING WATER SERVICE IS SUPPORTED ACROSS THE TRENCH, STYROFOAM BOARD IS TO BE INSTALLED BETWEEN THE SERVICE AND SUPPORT.
  2. "\*" DENOTES 50mm EXTRUDED POLYSTYRENE INSULATION (STYROFOAM HI 60) OR APPROVED EQUIVALENT.
  3. INSULATION SHALL BE REQUIRED IN THE BOTTOM OF THE TRENCH WHEN CROSSING CULVERTS.
- ALL DIMENSIONS IN mm UNLESS OTHERWISE SPECIFIED

**TOWN OF BRADFORD WEST GWILLIMBURY**

**INSULATION DETAILS  
FOR WATER MAIN AND  
SERVICE CONNECTIONS**

SCALE: N.T.S.  
LAST REVISED: MAY 2014  
STD.DWG.

**D112**