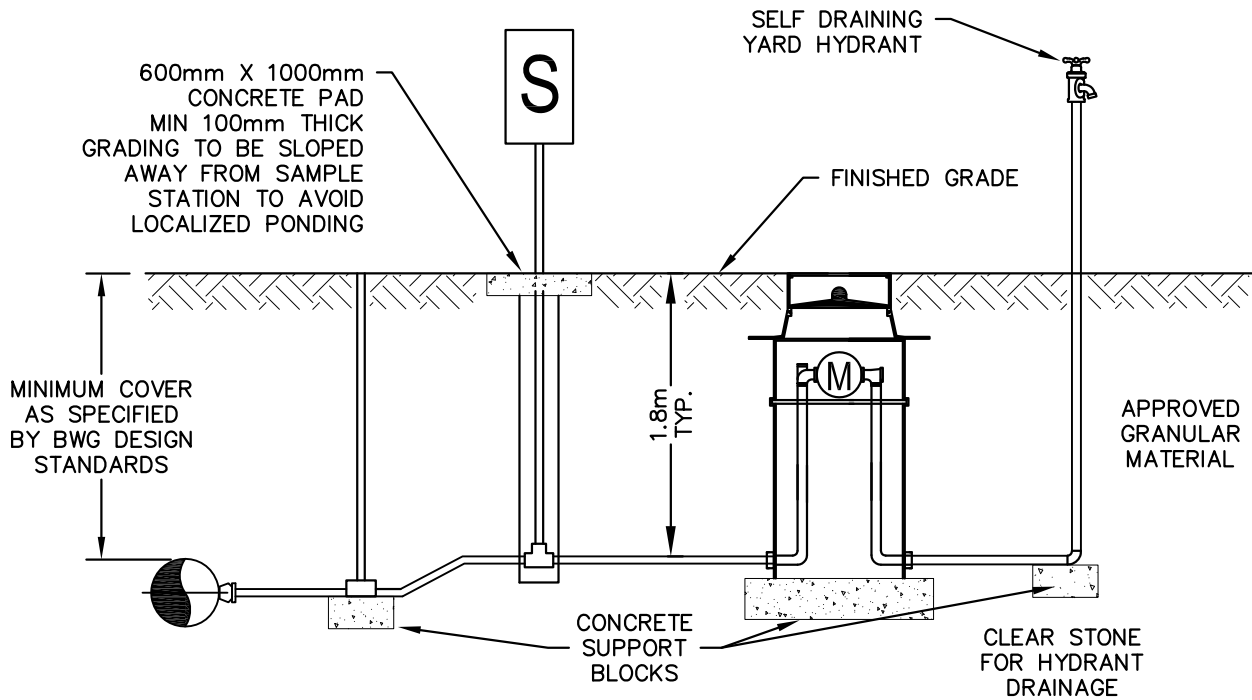


PLAN



PROFILE

NOTES:

1. WATER SERVICE TO BE COPPER, MINIMUM OF 25mm ϕ SIZE BASED ON SITE REQUIREMENTS.
2. WATER METER TO BE PRE-ASSEMBLED UNIT PER TOWN SPECS, METER SIZE TO BE 19mm MIN.
3. SEE BWG DESIGN STANDARD D103 FOR DETAIL OF SAMPLING STATION.

ALL DIMENSIONS IN mm UNLESS OTHERWISE SPECIFIED

TOWN OF BRADFORD WEST GWILLIMBURY

**TYPICAL LAYOUT FOR SAMPLING
STATION – WATER SERVICE
COMBINATION**

SCALE: N.T.S.

LAST REVISED:
MAY 2014

STD.DWG.

D104