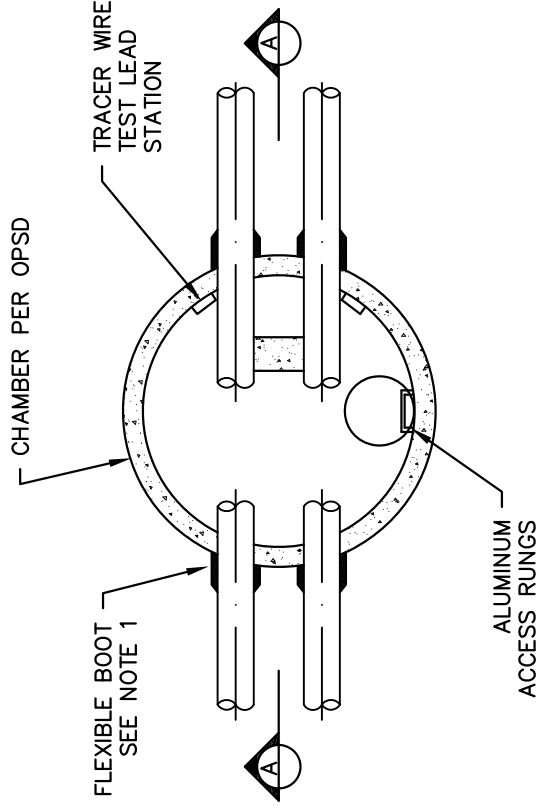


CHAMBER SECTION "A"



CHAMBER PLAN

NOTES:

1. DO NOT PERFORATE FLEXIBLE BOOT WITH TRACER WIRE.
2. ALL TRACER WIRES TO EXTEND INTO CHAMBER AND BOLTED TO INSIDE OF STRUCTURE AND TERMINAL COPPER BAR MOUNTED ON UNDERSIDE OF TOP SLAB AT RISER FOR ACCESS WITHOUT ENTERING CHAMBER.
3. DRILL HOLE IN STRUCTURE FOR TRACER WIRE PENETRATION. SEAL HOLE FOLLOWING INSTALLATION OF TRACER WIRE.
4. SECURE BASE TO RISER WITH 304L SS PLATES WITH SS BOLTS (MIN 6 PER STRUCTURE).
5. SECURE RISER SECTIONS WITH 304L SS PLATES (MIN 6 PLATES PER JOINT).
6. VALVE BOX CAP TO BE IDENTIFIED AS "SANITARY".
7. COVER TO BE STAMPED "SANITARY".
8. ALL JOINTS MECHANICALLY RESTRAINED PER BWG STANDARDS.
9. ALL VALVES, FITTINGS AND MECHANICAL RESTRAINTS TO BE C/W DENSO PASTE, DENSO MASTIC AND DENSO TAPE OR APPROVED EQUAL, APPLIED TO MANUFACTURERS RECOMMENDATIONS.

TOWN OF BRADFORD WEST GWILLIMBURY

SCALE: N.T.S.

LAST REVISED: JULY 2014

STD.DWG.

GENERAL SANITARY  
CHAMBER DETAILS

E104