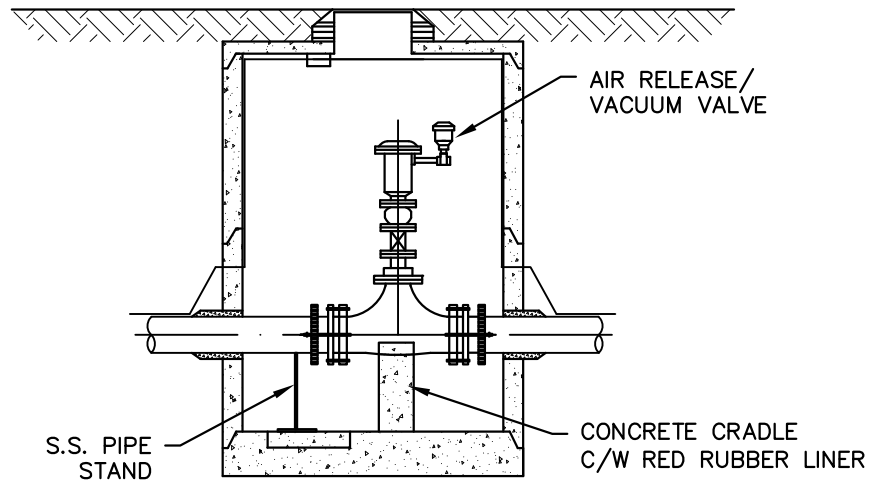


AIR RELEASE VALVE IN CHAMBER
PLAN



AIR RELEASE VALVE IN CHAMBER
SECTION "A"

NOTES:

1. CATHODIC PROTECTION PER BWG DESIGN STANDARDS D113.
2. ALL JOINTS MECHANICALLY RESTRAINED PER BWG DESIGN STANDARD D109.
3. ALL VALVES, FITTINGS AND MECHANICAL RESTRAINTS TO BE C/W DENSO PASTE, DENSO MASTIC AND DENSO TAPE OR APPROVED EQUAL, APPLIED TO MANUFACTURERS RECOMMENDATIONS.
4. CHAMBER TO BE SUPPLIED WITH VENT AS REQUIRED OR DIRECTED.
5. CHAMBER TO BE SUPPLIED WITH DRAIN AS REQUIRED OR DIRECTED.

ALL DIMENSIONS IN mm UNLESS OTHERWISE SPECIFIED.

TOWN OF BRADFORD WEST GWILLIMBURY

**TYPICAL WATER MAIN AIR RELEASE
VALVE IN CHAMBER DETAILS**

SCALE: N.T.S.

LAST REVISED:
JULY 2014

STD.DWG.

D118